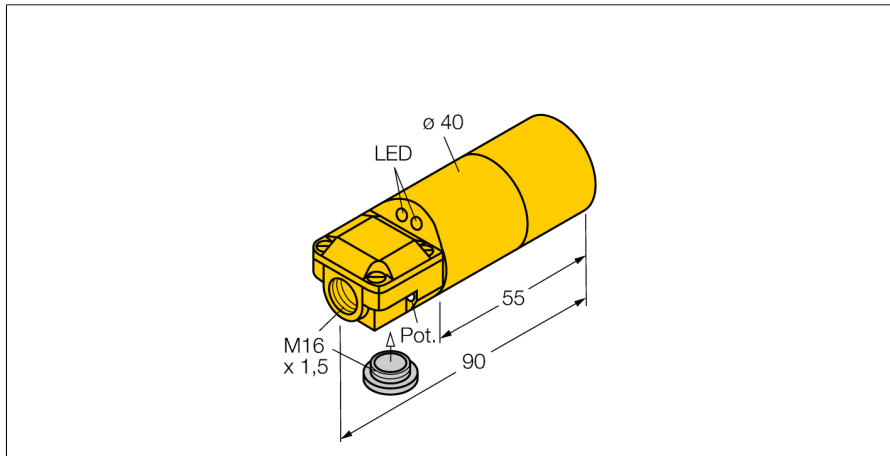
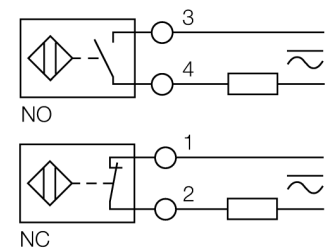


Capacitive sensor BC20-K40SR-FDZ3X2 W/M16X1.5



- 2 cable entries (axial, radial)
- Smooth barrel, Ø 40 mm
- Plastic, ABS
- Fine adjustment via potentiometer
- AC 2-wire, 20...250 VAC
- DC 2-wire, 3...320 VDC
- Programmable connection (NC/NO)
- Terminal chamber

Wiring Diagram



Functional principle

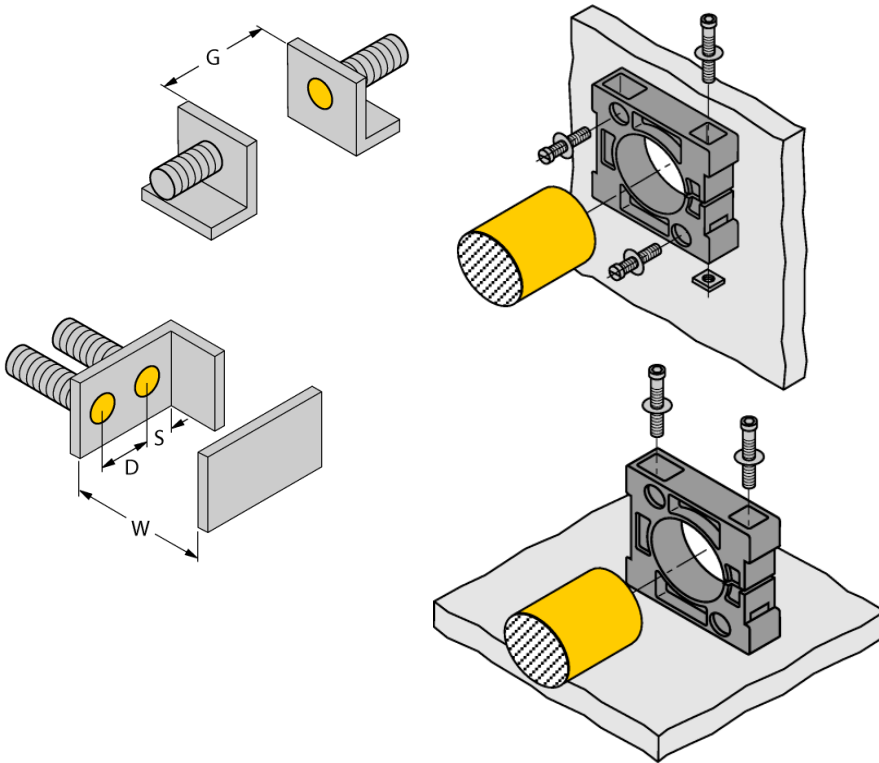
Capacitive proximity switches are designed for non-contact and wear-free detection of electrically conductive as well as non-conductive metal objects.

Type designation	BC20-K40SR-FDZ3X2 W/M16X1.5
Ident-No.	2204001
Rated switching distance (flush)	20 mm
Rated switching distance (non-flush)	30 mm
Secured operating distance	≤ (0.72 x S _n) mm
Hysteresis	2...20 %
Temperature drift	type 20 %
Repeat accuracy	≤ 2 % of full scale
Ambient temperature	-25...+70 °C
Operating voltage	20...250VAC
Operating voltage	3...250 VDC
AC rated operational current	≤ 400 mA
DC rated operational current	≤ 200 mA
Frequency	≥ 50...≤ 60 Hz
Smallest operating current I _m	≥ 5 mA
Residual current	≤ 1.7 mA
Switching frequency	0.02 kHz
Isolation test voltage	≤ 1.5 kV
Output function	2-wire, Connection programmable, 2-wire
Voltage drop at I _s	≤ 7 V
Design	Smooth barrel, 40 mm
Dimensions	90 mm
Housing material	Plastic, ABS
Active area material	Plastic, ABS
Electrical connection	Terminal chamber
Clamping ability	≤ 2.5 mm ²
Vibration resistance	55 Hz (1 mm)
Shock resistance	30 g (11 ms)
Protection class	IP67
MTTF	1080 years acc. to SN 29500 (Ed. 99) 40 °C
Packaging unit	1
Power-on indication	LED, Green
Switching state	LED, Yellow
Included in delivery	BS40, cable gland, blanking plug

Capacitive sensor BC20-K40SR-FDZ3X2 W/M16X1.5

Mounting instructions/Description	minimum distances
Distance D	40 mm
Distance W	60 mm
Distance S	60 mm
Distance G	120 mm

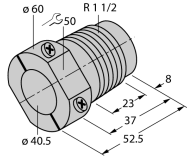
Diameter active area B	Ø 40 mm
------------------------	---------



The given minimum distances have been checked in compliance with the standard switching distance. Should the sensitivity of the sensors be changed via potentiometer, the data sheet specifications no longer apply.

Capacitive sensor
BC20-K40SR-FDZ3X2 W/M16X1.5

Accessories

Type code	Ident-No.	Description	
MAP-K40	6950014	Mounting adapter; material: Polypropylene; sensor replacement with filled container possible (adapter remains in container during sensor replacement)	
BS-40	69466	Fixing clamp; material mounting block: PBT	